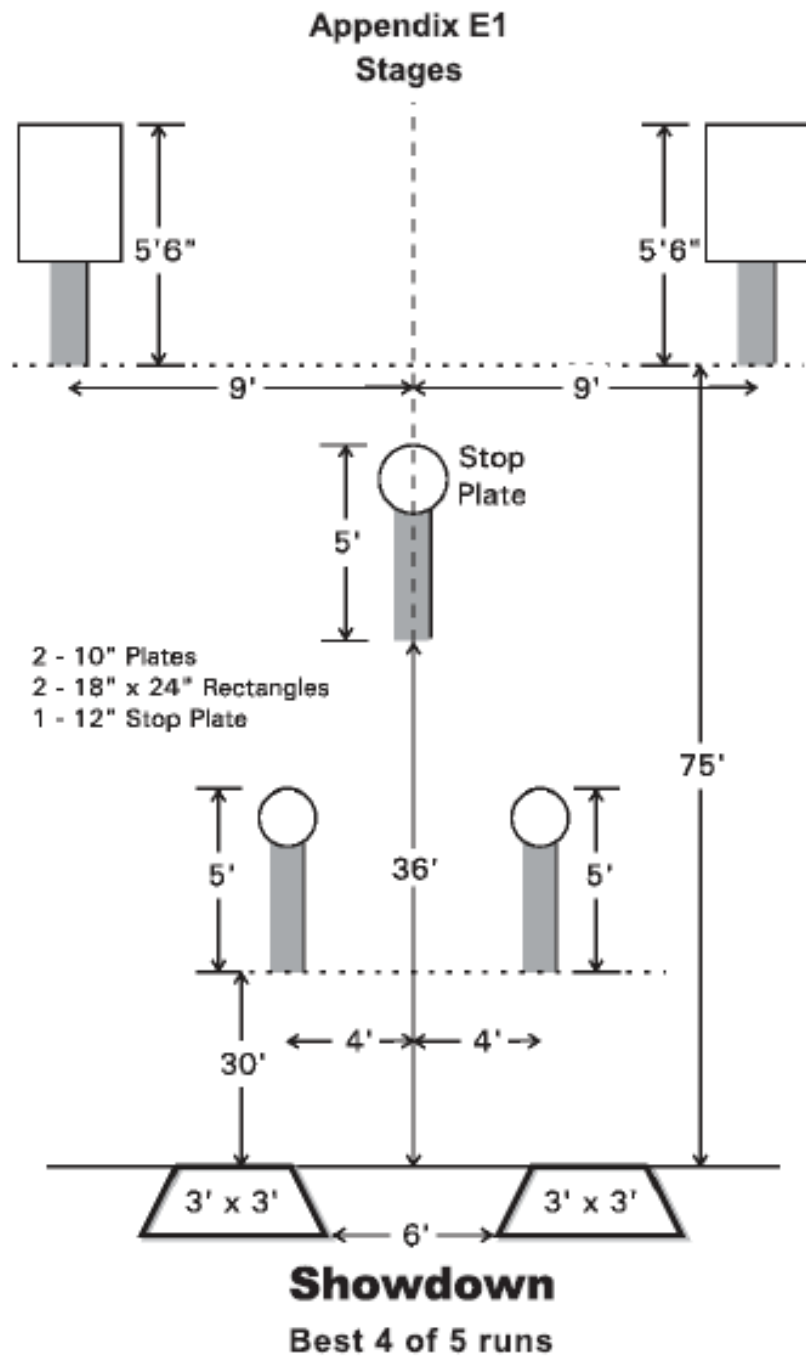
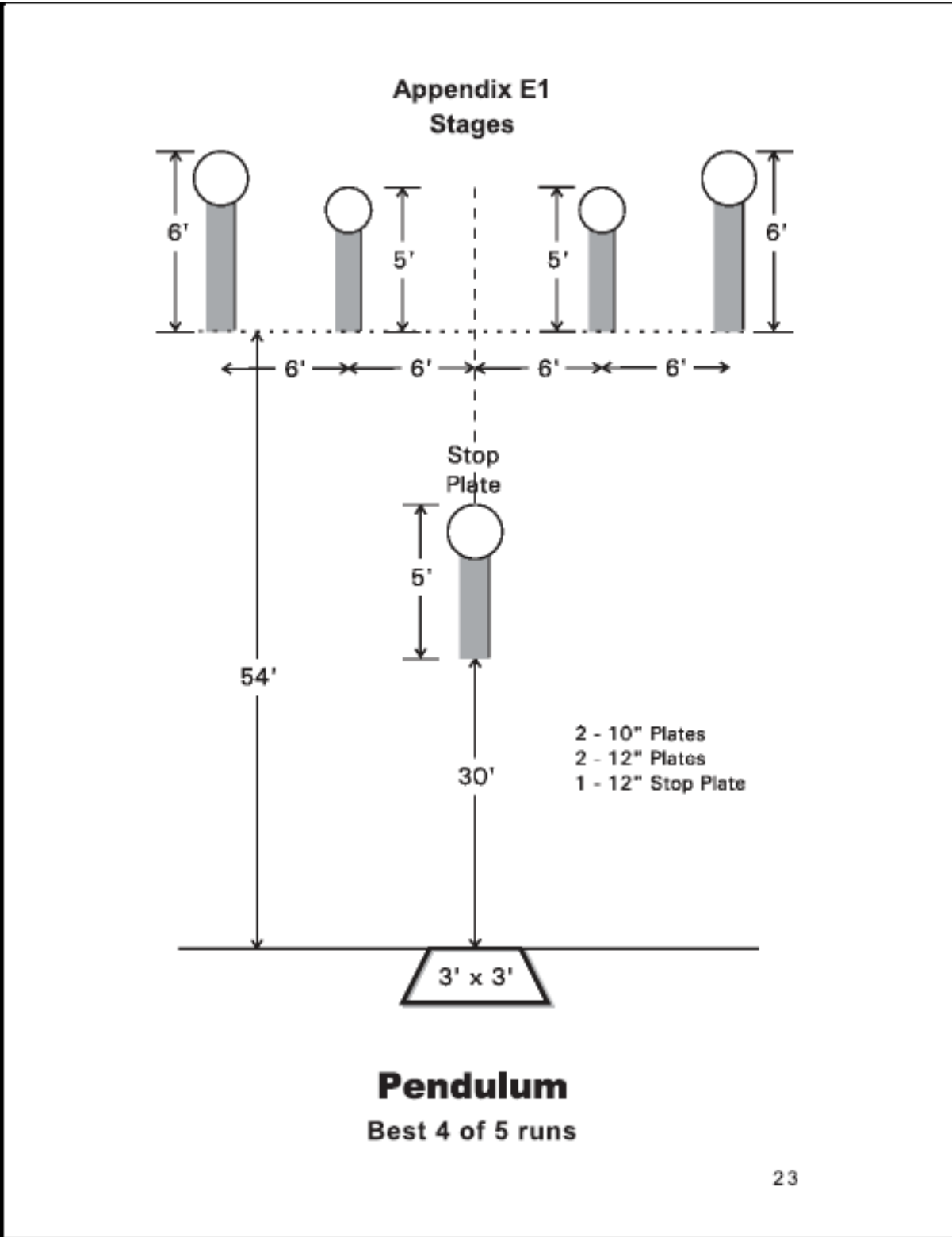


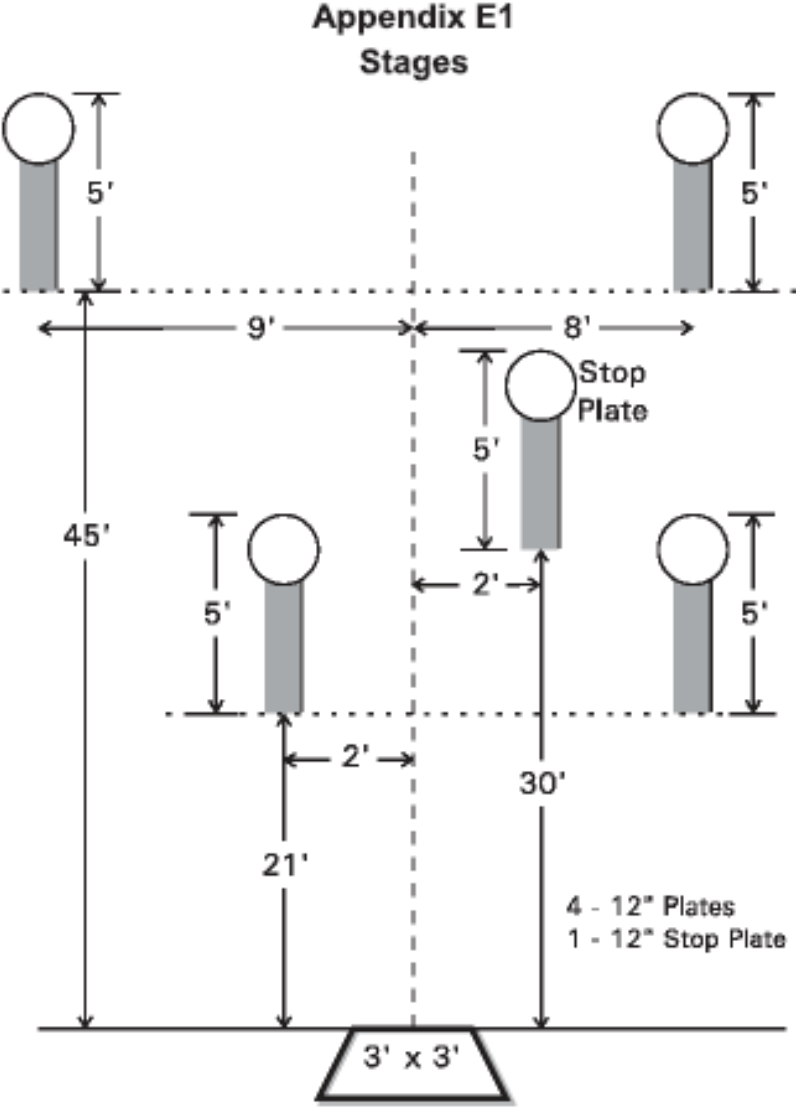
Bay 1, Stage 1



Bay 2 Stage 2



Bay 3 Stage 3

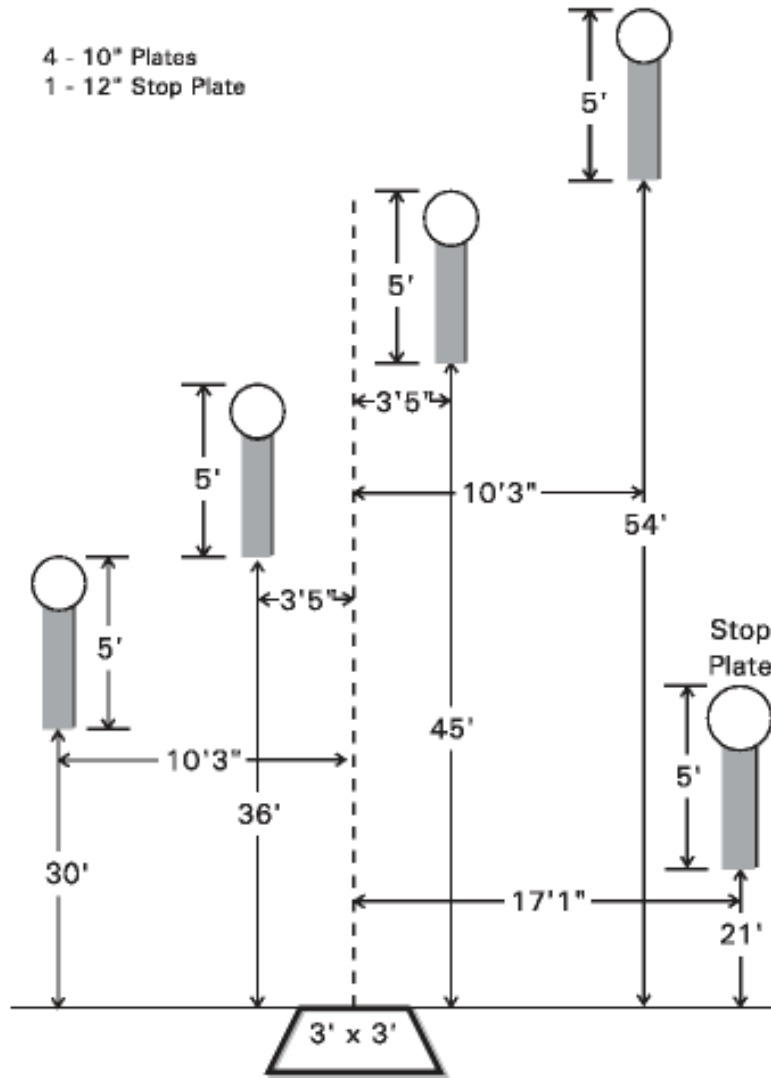


Roundabout Best 4 of 5 runs

Bay 4 Stage 4

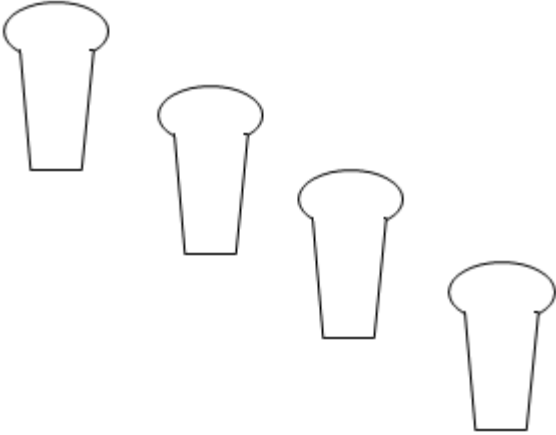
Appendix E1 Stages

4 - 10" Plates
1 - 12" Stop Plate



Five To Go
Best 4 of 5 runs

Bay 6 Stage 5



Bay 7 Stage 6

